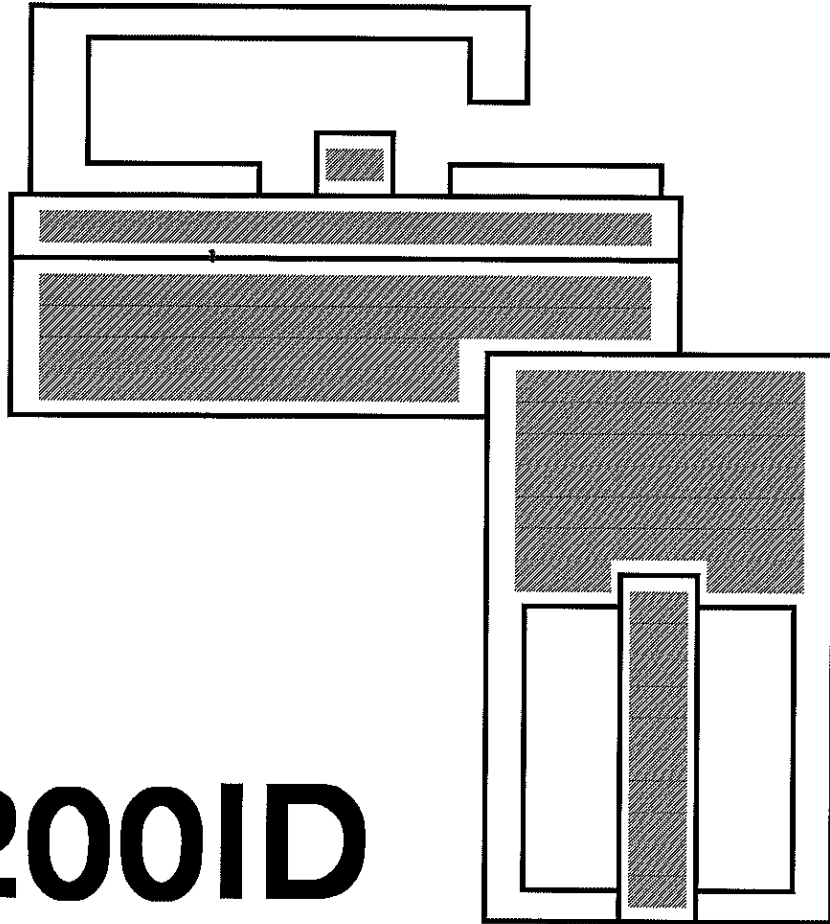


# NDS PRODUCTS

Visit Our Web Site At:  
[www.ndsproducts.com](http://www.ndsproducts.com)



## ND-200ID

# OPERATION MANUAL

111 ANDERSON, PASADENA TX 77506, PHONE 713/475-2986, FAX 713/477-6741



## CONTENTS

ND-200ID

PARAGRAPH		PAGE
1.0	USER CAUTION AND WARNINGS	1
2.0	WARRANTY	1
3.0	MECHANICAL SPECIFICATIONS	2
4.0	ELECTRICAL SPECIFICATIONS	2
5.0	SURVEY METER LIMITATIONS (SATURATION)	3
6.0	INSTRUMENT OPERATION	3
6.1	CHECKOUT	3
6.2	RANGE SELECTION/TAKING READINGS	4
7.0	MAINTENANCE	4
7.5	CAUTION NOTE	4
8.0	CALIBRATION PROCEDURE	4
9.0	CURRENT ADJUSTMENT PROCEDURE	5
10.0	BATTERY CHECK ADJUSTMENT PROCEDURE	5
11.0	SERVICING AND TROUBLE-SHOOTING	6
12.0	PARTS LIST	7
13.0	CIRCUIT DIAGRAM	8

**NOTE: DUE TO NDS PRODUCTS' CONTINUING PROGRAM OF RESEARCH & DEVELOPMENT, ALL SPECIFICATIONS ARE SUBJECT TO CHANGE WITHOUT NOTICE AND MAY BE VARIED AT OUR DISCRETION.**

**1.0 USER CAUTION AND WARNINGS:**

THIS INSTRUMENT IS INTENDED SOLELY FOR THE DETECTION AND MEASUREMENT OF IONIZING RADIATION. IT SHOULD BE USED ONLY BY PERSONS WHO HAVE BEEN TRAINED IN THE PROPER INTERPRETATIONS OF ITS READINGS AND THE APPROPRIATE SAFETY PROCEDURES TO BE FOLLOWED IN THE PRESENCE OF RADIATION.

ALL INSTRUCTIONS AND WARNINGS CONTAINED IN THIS MANUAL OR ON THE INSTRUMENT ITSELF, MUST BE READ BEFORE USE AND MUST BE STRICTLY FOLLOWED. FAILURE IN FOLLOWING THESE INSTRUCTIONS AND WARNINGS MAY RESULT IN INACCURATE READINGS AND/OR USER HAZARD. INDICATED BATTERY AND OTHER OPERATIONAL TESTS MUST BE PERFORMED PRIOR TO EACH USE TO ASSURE THAT THE INSTRUMENT IS FUNCTIONING PROPERLY.

FAILURE TO CONDUCT PERIODIC PERFORMANCE TESTS IN ACCORDANCE WITH ANSI N323-1978, 4.6 AND 5.4, AND TO KEEP RECORDS THEREOF IN ACCORDANCE WITH PARAGRAPH 4.5, COULD RESULT IN ERRONEOUS READINGS OF POTENTIAL DANGER. ANSI N323-1978 BECOMES, BY THIS REFERENCE, A PART OF THIS OPERATING MANUAL.

THE EQUIPMENT HEREIN IS DESIGNED AND MANUFACTURED IN COMPLIANCE WITH ALL APPLICABLE SAFETY STANDARDS; NEVERTHELESS, CERTAIN HAZARDS ARE INHERENT IN THE USE OF ALL ELECTRONIC EQUIPMENT. ADEQUATE WARNINGS ARE INCLUDED IN THIS MANUAL AND ON THE PRODUCT ITSELF TO COVER HAZARDS THAT MAY BE ENCOUNTERED IN NORMAL USE AND SERVICING OF THIS EQUIPMENT. NO OTHER PROCEDURES ARE WARRANTED BY NDS PRODUCTS. IT SHALL BE THE OWNER'S OR USER'S RESPONSIBILITY TO ASSURE THAT THE PROCEDURES HEREIN ARE METICULOUSLY FOLLOWED, AND ESPECIALLY THAT THE WARNING AND CAUTIONARY NOTES ARE HEEDDED. FAILURE ON THE PART OF THE USER IN ANY WAY TO FOLLOW PRESCRIBED PROCEDURES SHALL OBSOLVE NDS PRODUCTS AND ITS AGENTS FROM ANY RESULTING LIABILITY.

**READ YOUR OPERATION MANUAL**

---

**2.0 WARRANTY:**

NDS PRODUCTS WARRANTS THAT THE PRODUCTS COVERED HEREBY SHALL BE FREE FROM DEFECTS IN WORKMANSHIP AND MATERIALS FOR A PERIOD OF ONE YEAR FROM DATE OF NDS PRODUCTS' SHIPMENT (GM TUBE IS WARRANTED BY THE OEM FOR 90 DAYS). THE FOREGOING WARRANTY DOES NOT APPLY TO ANY PRODUCTS WHICH HAVE BEEN SUBJECT TO MISUSE (INCLUDING STATIC DISCHARGE), NEGLIGENCE, ACCIDENT, OR MODIFICATION. NDS PRODUCTS' SOLE OBLIGATION TO BUYER HEREUNDER FOR PRODUCTS FAILING TO MEET THE AFORESAID WARRANTY SHALL BE, AT NDS PRODUCTS' DISCRETION, TO REPAIR AND RECALIBRATE THE NONCONFORMING PRODUCT OR TO REPLACE THE NONCONFORMING PRODUCT WHERE WITHIN THE WARRANTY PERIOD: 1) THE BUYER HAS RETURNED THE NONCONFORMING PRODUCT TO NDS PRODUCTS, FREIGHT PREPAID, & 2) NDS PRODUCTS HAS DETERMINED THE PRODUCT IS NONCONFORMING AND THAT SUCH NONCONFORMITY IS NOT A RESULT OF IMPROPER USE, REPAIR, MODIFICATION OR OTHER MISUSE BY BUYER.

THE FOREGOING WARRANTY AND REMEDIES ARE EXCLUSIVE AND ARE MADE EXPRESSLY IN LIEU OF ALL OTHER WARRANTIES EXPRESSED OR IMPLIED, EITHER IN FACT OR BY OPERATION OF LAW, STATUTORY OR OTHERWISE, INCLUDING WARRANTIES OF MERCHANTABILITY AND FITNESS FOR USE. NDS PRODUCTS NEITHER ASSUMES NOR AUTHORIZES ANY OTHER PERSON TO ASSUME FOR IT ANY OTHER LIABILITY IN CONNECTION WITH THE SALE OR USE OF ITS PRODUCTS, AND NDS PRODUCTS MAKES NO WARRANTY WHATSOEVER FOR PRODUCTS NOT MANUFACTURED BY NDS PRODUCTS. NDS PRODUCTS SHALL NOT BE LIABLE FOR DAMAGES DUE TO DELAYS IN DELIVERIES OR USE AND SHALL IN NO EVENT BE LIABLE FOR INCIDENTAL OR CONSEQUENTIAL DAMAGES OF ANY KIND; WHETHER ARISING FROM CONTRACT, TORT, OR NEGLIGENCE, INCLUDING BUT NOT LIMITED TO, LOSS OF PROFITS, LOSS OF GOODWILL, OVERHEAD OR OTHER LIKE DAMAGES.

### 3.0 MECHANICAL SPECIFICATIONS:

THE MODEL ND-200ID IS A SENSITIVE, PORTABLE PULSE COUNT RATEMETER AND POWER SUPPLY WHICH WILL DETECT ALPHA, BETA, GAMMA AND X-RAY RADIATION. THE INSTRUMENT UTILIZES THE LATEST DESIGN IN SOLID STATE CIRCUITRY AND CONTAINS NO VACUUM TUBES RESULTING IN A RUGGED AND RELIABLE DEVICE. THIS DESIGN ALLOWS THE INSTRUMENT TO OPERATE ON ONLY 2 "D" CELL BATTERIES. IT PROVIDES A BATTERY LIFE OF OVER 150 HOURS CONTINUOUS OPERATION AND LONGER WITH INTERMITTENT USE (THE ABOVE IS TRUE WITH NON-ALKALINE BATTERIES, LONGER WITH ALKALINE BATTERIES).

THE ND-200ID FEATURES AN AUDIBLE MONITORING SYSTEM (SPEAKER), A RUGGED, TWO PIECE NYLON REINFORCED POLYESTER RESIN CASE WITH NEOPRENE O-RING GASKETS FOR THE METER INDICATOR AND THE HANDLE HARDWARE. THE PANCAKE DETECTOR IS LOCATED INTERNALLY ON THE BASE OF THE INSTRUMENT CASE.

WARNING: DO NOT SET THE INSTRUMENT DOWN ON ANY PROJECTION WHICH MAY PUNCTURE THE DELICATE MYLAR DETECTOR WINDOW; PROTECTION IS AFFORDED BY THE MESH SCREEN. KEEP THE WINDOW FREE FROM MOISTURE, DIRT AND OTHER CONTAMINATION.

THE ND-200ID IS EXCELLENT FOR CHECKING RADIOACTIVE CONTAMINATION OF WORK AREAS, PERSONNEL AND EQUIPMENT; ALSO USEFUL IN DETECTING STRAY RADIATION FROM DAMAGED CONTAINERS, LOCATING SPILLED RADIOACTIVE CHEMICALS AND SIMILAR APPLICATIONS.

### 4.0 ELECTRICAL SPECIFICATIONS:

#### 4.1 POWER SUPPLY

THE HIGH VOLTAGE PWR SUPPLY IS A BLOCKING OSCILLATOR DRIVEN "FLY-BACK" TYPE CIRCUIT. THE BLOCKING OSCILLATOR PORTION OF THE CIRCUIT CONSISTS OF TRANSISTOR Q3, WINDINGS 3-4, AND 5-6 OF TRANSFORMER T1, POTENTIOMETER R17 AND BATTERIES. C8 SERVES ONLY TO SUPPRESS HIGH FREQUENCY PARASITIC OSCILLATION CAUSED BY THE TRANSISTOR PARAMETERS. THE HIGH VOLTAGE POWER SUPPLY PORTION OF THE CIRCUIT CONSISTS OF WINDINGS 1-2 OF T1, RECTIFIER CR5, THE ASSOCIATED RESISTORS AND CAPACITORS, AND DIODES Z1, 3 THRU 6. THE LOW VOLTAGE SECTION IS COMPRISED OF WINDINGS 5-6 OF T1, DIODE CR4 AND C7. THE OPERATION OF THE POWER SUPPLY IS AS FOLLOWS: WHEN THE INSTRUMENT IS ON, Q3 CONDUCTS WHILE AN INCREASING CURRENT FLOWS THROUGH WINDING 3-4 AND THE COLLECTOR OF Q3. THIS CURRENT INDUCES A VOLTAGE IN WINDING 5-6 OF SUCH POLARITY AS TO SUSTAIN AND INCREASE THE CONDUCTION OF Q3. THE COLLECTOR CURRENT CONTINUES TO INCREASE UNTIL Q3 AND WINDING 3-4 BECOMES CONSTANT. WHEN THE CURRENT IN WINDING 3-4 BECOMES CONSTANT, THE INDUCED VOLTAGE IN WINDING 5-6 FALLS TO ZERO WHICH CAUSES THE BASE CURRENT TO DROP, WHICH IN TURN, CAUSES THE CURRENT FLOWING THROUGH THE COLLECTOR AND WINDING 3-4 TO DROP. THIS DECREASING CURRENT INDUCES A VOLTAGE IN WINDING 5-6 OF SUCH POLARITY AS TO TURN OFF THE TRANSISTOR. INsofar AS THIS IS A REGENERATIVE ACTION, Q3 TURNS OFF EXTREMELY FAST, CAUSING THE FLUX IN T1 TO COLLAPSE SUDDENLY; THIS LATER IS THE "FLY-BACK" ACTION, WHICH INDUCES HIGH VOLTAGE ON ALL WINDINGS. THE MAGNITUDE OF THE VOLTAGE IS PROPORTIONAL TO THE NUMBER OF TURNS ON THE WINDING. THE VOLTAGE INDUCED ON WINDING 1-2 IS EXTREMELY HIGH DUE TO THE LARGE NUMBER OF TURNS. THIS IS RECTIFIED BY CR5 AND FILTERED BY C9 AND R13, AFTER WHICH IT'S REGULATED TO 600V BY Z1,Z2,Z4. THE REGULATING ACTION OF THE ZENERS IS REFLECTED BACK THROUGH T1, AND THUS THE VOLTAGE INDUCED AT THE OTHER WINDING IS ALSO REGULATED. THIS IS TAKEN ADVANTAGE OF AT WINDING 5-6 WHERE THE INDUCED VOLTAGE IS RECTIFIED BY CR4 AND USED TO POWER THE REST OF THE INSTRUMENT. THE INDUCED VOLTAGE AT THE BASE THEN RETURNS TO ZERO, ALLOWING Q3 TO CONDUCT AGAIN AND THUS REPEATING THE CYCLE; THE RATE OF REPETITION BEING CONTROLLED BY R17.

#### 4.2 MONOSTABLE MULTIVIBRATOR:

THE MONOSTABLE MULTIVIBRATOR CIRCUIT CONSISTS OF Q1, Q2, CALIBRATION POTS R3-5, R22, R26, S1, AND ASSOCIATED COMPONENTS. ITS FUNCTION IS TO PROVIDE A UNIFORM CURRENT PULSE OUTPUT FOR EACH PULSE INPUT, REGARDLESS OF THE SHAPE OR MAGNITUDE OF THE INPUT PULSE.

#### 4.3 METER AND TIME CONSTANT CIRCUIT:

THE METERING CIRCUIT CONSISTS OF M1 (METER), R7, C11 & C2 (THE INTEGRATING CAP). WHEN A PULSE CAUSES Q1 TO CONDUCT, THE COLLECTOR CURRENT PASSES THROUGH C2 LEAVING IT CHARGED. IT IS THEN DISCHARGED THROUGH M1 CAUSING IT TO DEFLECT. THE AMOUNT OF DEFLECTION IS PROPORTIONAL TO THE AMOUNT OF CHARGE, WHICH IN TURN IS PROPORTIONAL TO THE AVERAGE CURRENT. THUS M1 READS THE AVERAGE CURRENT THROUGH Q1, WHICH IS PROPORTIONAL TO RATE AND WIDTH. THE RESPONSE TIME OF THE SYSTEM IS A FUNCTION OF THE SIZE OF CAPACITOR C2. THE LARGER THE CAPACITOR THE LONGER IT TAKES TO CHARGE AND AND DISCHARGE, THUS THE RESPONSE TIME CAN BE ALTERED BY CHANGING THE AMOUNT OF CAPACITY IN THE CIRCUIT.

#### 4.4 DETECTOR TUBE:

THIS DETECTOR IS A THIN MICA END-WINDOW TYPE HALOGEN QUENCHED PANCAKE TUBE. THE MICA WINDOW HAS A THICKNESS OF APPROXIMATELY 1.5-2mg/cm SQUARED. IT ENABLES ALPHA AS WELL AS WEAK BETA AND GAMMA RADIATION TO BE MEASURED. THIS DETECTOR HAS AN EFFECTIVE DIAMETER OF 1.75 INCHES. EXTREME CARE MUST BE TAKEN NOT TO TOUCH OR ALLOW OBJECTS TO COME IN CONTACT WITH THE MICA WINDOW.

#### 4.5 AURAL MONITOR:

THIS ASSEMBLY CONSISTS OF AN AUDIO TRANSDUCER AND ITS' ASSOCIATED COMPONENTS. THE OPERATOR WILL NOTE THAT EACH PULSE ARRIVING AT THE INSTRUMENT IS INDICATED BY A DISTINCTLY AUDIBLE "CLICK" FROM THE TRANSDUCER. THESE CLICKS OR PULSES, AS THEY ARE PRODUCED FROM A RADIATION DETECTOR PROBE, ARE RANDOMLY SPACED IN TIME SO THAT ONE MAY WAIT FOR SEVERAL SECONDS BEFORE ANY CLICKS ARE OBSERVED AND THEN THERE MAY BE TWO OR THREE IN RAPID SUCCESSION. ACCURATE MEASUREMENTS OF BACKGROUND AND OTHER LOW LEVEL RADIATION CAN BE MADE BY COUNTING AND TIMING THE SPEAKER CLICKS WITH A WATCH HAVING A SECOND HAND.

#### 5.0 SURVEY METER LIMITATION (SATURATION) \* CAUTION \*

IT IS A WELL KNOWN PHENOMENON THAT ALL GEIGER-MUELLER SURVEY METERS SATURATE OR OVERLOAD AT SOME POINT (THIS MAY ALSO BE CALLED FLOODING OR JAMMING).

IF THE RADIATION FIELD IS IN EXCESS OF 5 R/hr (USING THE X0.1 -X100 RANGE) ONE OF TWO EVENTS WILL OCCUR: 1) THE NEEDLE WILL SWING TO THE EXTREME RIGHT AND WHEN IT REACHES SATURATION, THE NEEDLE WILL FALL BACK TO ZERO, OR 2) IF THE SURVEY METER IS TURNED ON IN A FIELD IN EXCESS OF 5R, THE NEEDLE WILL NOT REACT AND STAY AT ZERO.

#### 6.0 INSTRUMENT OPERATION:

##### 6.1 CHECK THE FOLLOWING BEFORE USING:

- 6.1.1 TURN SWITCH TO BATT CHECK. THE METER SHOULD READ IN THE INDICATED BATT ZONE. REPLACE BATTERIES IF NEEDED. DO NOT USE INSTRUMENT IF BATT CHECK IS NOT WITHIN BATT ZONE.
- 6.1.2 INSPECT FOR PHYSICAL DAMAGE.
- 6.1.3 CHECK CALIBRATION DUE DATE. DO NOT USE IF PAST DUE.
- 6.1.4 USE A CHECK SOURCE OR EQUIVALENT TO ENSURE THAT THE SURVEY METER IS READING RADIATION.
- 6.1.5 WHEN SECURING THE SURVEY METER LID TO CASE, CLEAN THE CASE GASKET TO ENSURE A PROPER SEAL. TIGHTEN THE 4 SCREWS UNTIL THE TOP AND BOTTOM MEET SECURELY. REPLACE THE GASKET WHEN NECESSARY.

## 6.2 SELECTING RANGE AND TAKING A READING:

TURN THE INSTRUMENT ON TO THE BATT CHECK POSITION AND SEE THAT THE METER READS IN THE INDICATED ZONE. NOW ROTATE THE RANGE SWITCH TO X100 (0-200mR/hr) RANGE AND PLACE THE PROBE IN THE LOCATION TO BE MEASURED. IF THE READING IS LESS THAN 10% OF FULL SCALE, ROTATE THE SWITCH TO THE X10 (0-20 mR/hr) RANGE. IF THE READING IS STILL LESS THAN 10% OF FULL SCALE ROTATE TO THE X1 (0-2 mR/hr) RANGE. IF THE READING IS STILL LESS THAN 10% OF FULL SCALE, ROTATE TO THE X.1 (0-.2 mR/hr) OR MOST SENSITIVE RANGE. THE METER READING SHOULD ALWAYS BE MULTIPLIED BY THE RANGE SWITCH POSITION.

## 7.0 MAINTENANCE:

7.1 BEFORE OPENING INSTRUMENT CASE FOR ANY REASON, BE SURE INSTRUMENT IS TURNED OFF.

7.2 KEEP CIRCUIT BOARD, SWITCH, BATTERY TERMINALS AND GASKETS FREE OF OIL, MOISTURE, DIRT, BATTERY ACID, ETC.

7.3 CLEAN THE BATTERY TERMINAL CONTACTS WHEN INSTALLING NEW BATTERIES. USE FINE SAND PAPER OR EQUIVALENT TO ENSURE PROPER CONTACT.

7.4 WHEN CLEANING THE CIRCUIT BOARD AND SWITCH, USE A NON-RESIDUE CONTACT CLEANER. LET THE COMPONENTS DRY BEFORE CLOSING CASE OR USING INSTRUMENT.

7.5 \* CAUTION \* WHEN INSTALLING BATTERIES, NEVER TOUCH THE COMPONENTS OR CIRCUITRY NEVER ADJUST POTENTIOMETERS R3, R4, R5, R17, R26 AND R22. THESE POTENTIOMETERS ADJUST CALIBRATION, CURRENT AND BATT CHECK READINGS. ADJUSTMENT MUST BE MADE BY QUALIFIED PERSONNEL WHO ARE FAMILIAR WITH CORRECT PROCEDURES. INCORRECT ADJUSTMENTS WILL SEVERELY LIMIT THE SURVEY METER'S PERFORMANCE.

7.6 REMOVE BATTERIES WHEN INSTRUMENT IS TO BE STORED.

7.7 KEEP PROBE (OR DETECTOR WINDOW) FREE OF MOISTURE, DIRT OIL, ETC.

## 8.0 CALIBRATION PROCEDURES:

REFERENCE ANSI N323-1978 STANDARDS

8.1 INSPECT CIRCUIT BOARD AND CASE FOR DAMAGE. CLEAN AND REPAIR IF NECESSARY.

8.2 INSPECT MECHANICAL HARDWARE AND TIGHTEN AS NECESSARY.

8.3 ZERO METER MOVEMENT AND CHECK GEOTROPISM.

8.4 CLEAN BATTERY CONTACTS.

8.5 INSTALL FRESH BATTERIES. TURN SURVEY METER TO BATT CHECK AND VERIFY THAT NEEDLE FALLS IN THE INDICATED BATT ZONE.

8.6 CHECK THE HIGH VOLTAGE AT THE GM TUBE ANODE (540-600 VOLTS).

8.7 CHECK THE LOW VOLTAGE AT THE METER MOVEMENT (15-22 VOLTS).

8.8 CHECK THE CURRENT DRAW (17-22 mA).

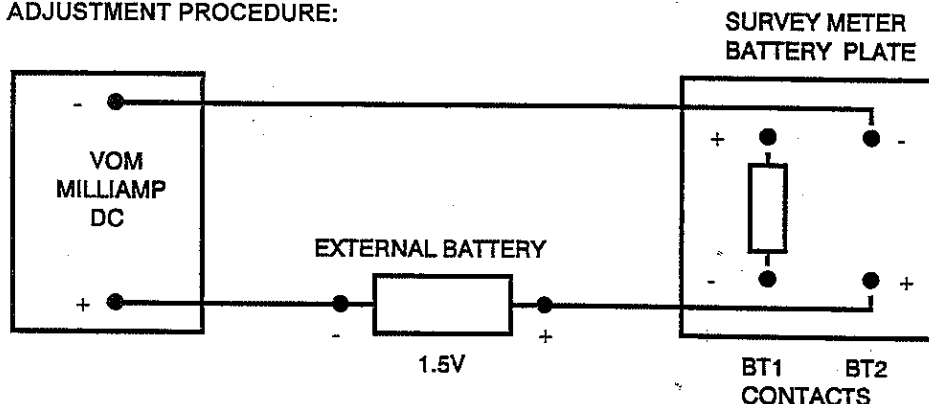
8.9 THERE ARE 4 CALIBRATION POTENTIOMETERS LOCATED ON THE RIGHT SIDE OF THE CIRCUIT BOARD, FROM LEFT TO RIGHT: X100, X10, X1 AND X0.1.

8.10 TO CALIBRATE, PLACE THE INSTRUMENT (OR PROBE) IN A KNOWN RADIATION FIELD FOR THE FOUR RANGES AND WHEN NECESSARY, ADJUST THE CORRESPONDING POTENTIOMETER.

8.11 AFTER ADJUSTMENT, CHECK THE CALIBRATION NEAR THE ENDS OF EACH RANGE, AT APPROXIMATELY 20% AND 80% OF FULL SCALE. INSTRUMENT READINGS SHALL BE WITHIN  $\pm 10\%$  OF KNOWN RADIATION VALUES AT THESE TWO POINTS OF EACH RANGE.

NOTE: THE CALIBRATION SOURCE MUST CONSTITUTE THE SOLE SOURCE OF RADIATION WHEN CALIBRATION IS PERFORMED. CALIBRATION MUST NOT BE UNDERTAKEN WHEN BACKGROUND IS ABOVE NORMAL OR WHEN THE INSTRUMENT IS IN A RADIOACTIVE FIELD OTHER THAN THAT PRODUCED BY THE KNOWN CALIBRATION SOURCE USED.

#### 9.0 CURRENT ADJUSTMENT PROCEDURE:



9.1 ASSURE INSTRUMENT IS TURNED OFF.

9.2 CLEAN CIRCUIT BOARD.

9.3 CLEAN BATTERY TERMINAL CONTACTS WITH STEEL WOOL.

9.4 INSTALL FRESH BATTERIES.

9.5 CHECK HIGH AND LOW VOLTAGES:

- HIGH VOLTAGE: 540-600 V AT GM TUBE. LOW VOLTAGE: 15-22 V AT METER MOVEMENT.

9.6 HOOK UP SURVEY METER AS SPECIFIED IN ABOVE DIAGRAM.

9.7 TURN SURVEY METER ON AND ADJUST R17 TO 17-22 mA.

9.8 AFTER SETTING CURRENT, ROTATE RANGE SWITCH AND CHECK THE CURRENT ON EACH RANGE. IF THE CURRENT IS CHANGING MORE THAN 10%, CLEAN OR REPLACE RANGE SWITCH. REMOVE BATTERIES PRIOR TO CLEANING.

#### 10.0 BATTERY CHECK ADJUSTMENT PROCEDURE:

10.1 FOLLOW CURRENT ADJUSTMENT PROCEDURES STEP 1, 2 & 3.

10.2 TURN SURVEY METER ON TO THE BATT CHECK POSITION AND LET THE SURVEY METER WARM-UP FOR APPROXIMATELY 2 MINUTES.

10.3 ADJUST R22 UNTIL THE NEEDLE IS AT THE RIGHT HAND EDGE OF THE INDICATED BATT ZONE ON THE METER MOVEMENT.

**WARNING: DO NOT USE R17 TO ADJUST THE BATTERY CHECK POSITION.**

NOTE: IF THE ABOVE PROCEDURES ARE PERFORMED USING STANDARD NON-ALKALINE BATTERIES, THE INDICATED BATTERY CHECK WILL BE SLIGHTLY HIGHER IF ALKALINE BATTERIES ARE INSTALLED AFTER THE ABOVE ADJUSTMENTS ARE MADE. NON-ALKALINE BATTERIES ARE USED IN FACTORY ADJUSTMENT.



**11.0 SERVICING AND TROUBLE-SHOOTING:**

**11.1 USE ONLY REPLACEMENT PARTS LISTED ON THE PARTS LIST AND CIRCUIT DIAGRAM.**

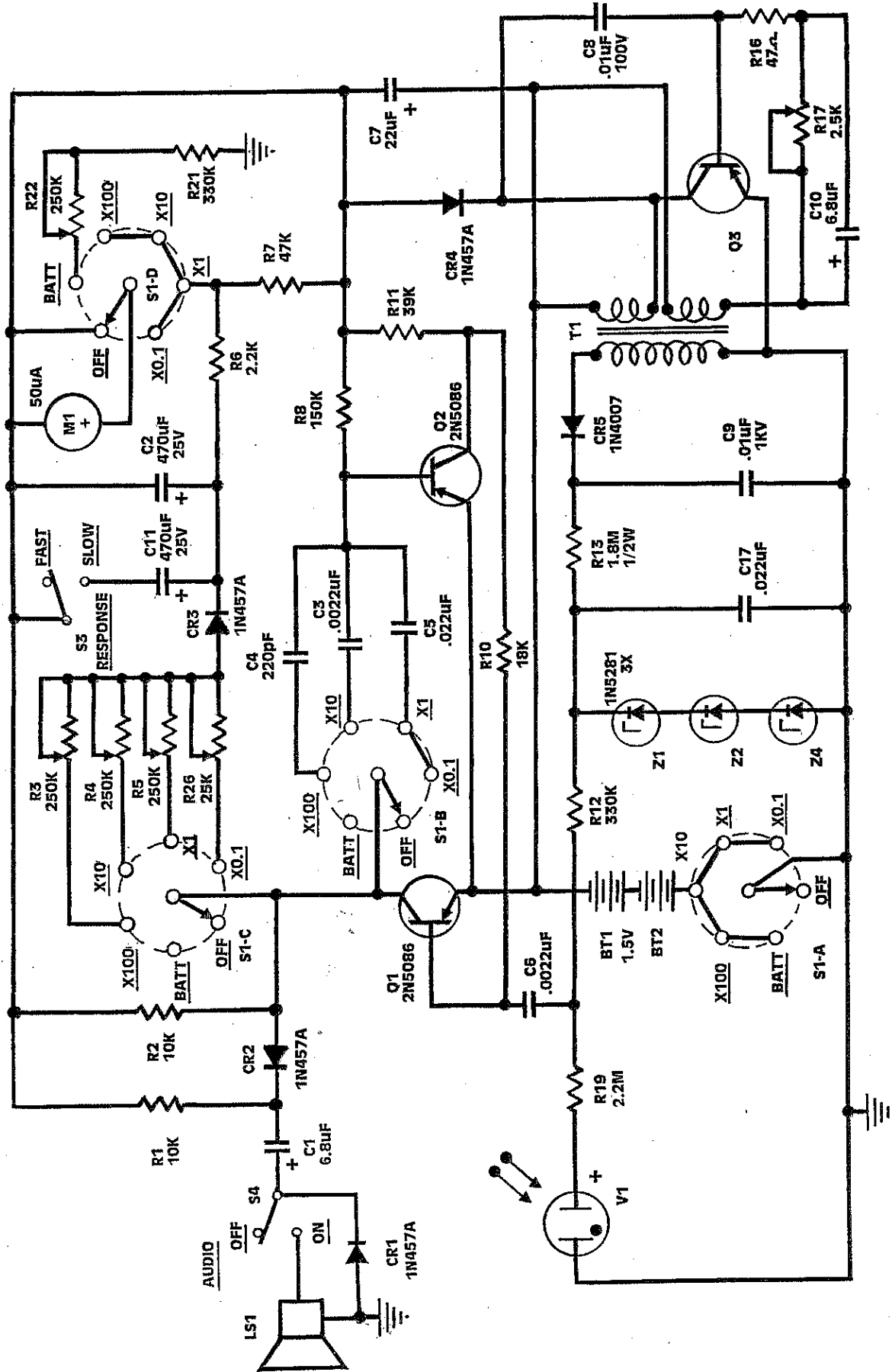
**11.2 WHEN REPLACING THE METER MOVEMENT, RTV RUBBER SILICONE MUST BE INJECTED INTO THE METER MOVEMENT MOUNTING HOLES. PLACE METER MOVEMENT INTO INSTRUMENT CASE, SECURE WITH HDW AND REMOVE EXCESS RTV. THIS MUST BE PERFORMED TO ENSURE WATER TIGHTNESS**

**11.3 THE GM TUBE IS THE MAJOR CAUSE IN SURVEY METER FAILURE. SOME OF THE PROBLEMS A DEFECTIVE TUBE CAN CREATE ARE AS FOLLOWS:**

- CRACKED ANODE = DEAD TUBE, WILL NOT DETECT RADIATION OR WILL SATURATE EARLY.**
- HIGH BACKGROUND = GAS CONTENT IS DEPLETING; TUBE WILL EVENTUALLY CEASE TO FUNCTION.**
- GM TUBE SHORT = SURVEY METER'S INDICATOR WILL PEG OUT OR SATURATE EARLY.**
- EARLY SATURATION = GM TUBE WILL DETECT RADIATION TO A CERTAIN POINT, i.e. 500 mR/hr, AND THEN BEGIN TO FALL DOWN SCALE. SOME TUBES MAY SHORT OUT AND THEN FALL DOWN SCALE.**

**ALL NDS SURVEY METERS ARE TESTED FOR SATURATION AT OUR FACILITIES AFTER EACH CALIBRATION AND OR REPAIR.**

24-Nov-99		BILL OF MATERIAL		
980-0200-ID		ND-200ID PC ASSY	REV C	
ITM	PART NUMBER	DESCRIPTION	QTY	REF DESIG
1	100-1000-223	CAP CER DISC .022 uF 1 KV 20%	1	C17
2	100-1000-222	CAP CER DISC .0022 uF 1 KV 20%	1	C6
3	100-0100-103	CAP CER DISC .01 uF 100V 20%	1	C8
4	100-1000-103	CAP CER DISC .01 uF 1 KV 20%	1	C9
5	105-0035-685	CAP ELE ALUM 6.8 uF 35V 20%	2	C1, 10
6	105-0025-226	CAP ELE ALUM 22.0 uF 35V 20%	1	C7
7	105-0025-477	CAP ELE ALUM 470.0 uF 25V 20%	2	C2, 11
8	115-0100-222	CAP PLY FILM .0022 uF 100V 10%	1	C3
9	115-0100-223	CAP PLY FILM .022 uF 100V 10%	1	C5
10	115-0100-221	CAP PLY FILM 220.0 pF 100V 10%	1	C4
11	150-0100-001	DIODE 1N4007 STANDARD RECOVERY	1	CR5
12	150-0200-001	DIODE 1N457A SWITCHING	4	CR1-4
13	150-0400-001	DIODE 1N5281B ZENER	3	Z1,2,4
14	250-0100-222	RES CF 1/4W 5% 2.2 K OHM	1	R6
15	250-0100-225	RES CF 1/4W 5% 2.2 M OHM	1	R19
16	250-0100-103	RES CF 1/4W 5% 10.0 K OHM	2	R1,2
17	250-0100-183	RES CF 1/4W 5% 18.0 K OHM	1	R10
18	250-0100-393	RES CF 1/4W 5% 39.0 K OHM	1	R11
19	250-0100-470	RES CF 1/4W 5% 47.0 OHM	1	R16
20	250-0100-473	RES CF 1/4W 5% 47.0 K OHM	1	R7
21	250-0100-154	RES CF 1/4W 5% 150.0 K OHM	1	R8
22	250-0100-334	RES CF 1/4W 5% 330.0 K OHM	2	R12, 21
23	265-0200-252	RES POT TRIMMER 2.5 K 1/2W	1	R17
24	265-0200-253	RES POT TRIMMER 25.0 K 1/2W	1	R26
25	265-0200-254	RES POT TRIMMER 250.0 K 1/2W	4	R3,4,5,22
26	250-1500-185	RES TF 1/2W 5% 1.8 M OHM	1	R13
27	450-8050-001	TRANSFORMER DC-DC	1	T1
28	475-0150-001	TRANSISTOR 2N5086 PNP	2	Q1, 2
29	475-0200-001	TRANSISTOR SK3004 POWER	1	Q3
990-0200-ID		ND-200ID UNIT ASSY	REV B	
ITM	PART NUMBER	DESCRIPTION	QTY	REF DESIG
1	400-0200-001	AUDIO TRANSDUCER ASSY	1	LS1
2	600-0095-001	BATTERY 1.5V D CELL EN95 ALK	2	BT1,2
3	605-015D-001	BATTERY HOLDER 1.5V D CELL	2	
4	670-2000-001	CASE NYL SURVEY METER	1	
5	690-0200-XXX	DECAL ND-MULTI USE	1	
6	675-2000-002	HANDLE SURVEY METER	1	
7	355-0300-001	HDW HEXSEAL NUT 1/4 (SW SHAFT)	1	
8	690-0100-001	KNOB BLK/ALUM INLAY	1	
9	800-0010-001	METER 50uA RUGGEDIZED METAL	1	M1
10	350-0300-004	SWITCH ROTARY 3 RANGE 4 POLE 5 POS	1	S1
11	395-2200-001	SWITCH TOGGLE BOOT	2	XS3, 4
12	390-2200-001	SWITCH TOGGLE SPDT	2	S3, 4
13	500-7312-001	TUBE PANCAKE 600V	1	V1



DRAWN: M. SMITH 11-99		DATE: 11-99	
CHECKED:		DATE:	
ENGINEER:		DATE:	
DO NOT COPY, DISPLAY, OR USE DRAWING WITHOUT SCALE DRAWING			
NBS PRODUCTS		ND-200ID	
CIRCUIT DIAGRAM		Dwg 870-0200-ID	
SCALE: 1 of 1		SHEET 1 of 1	
E		REV	